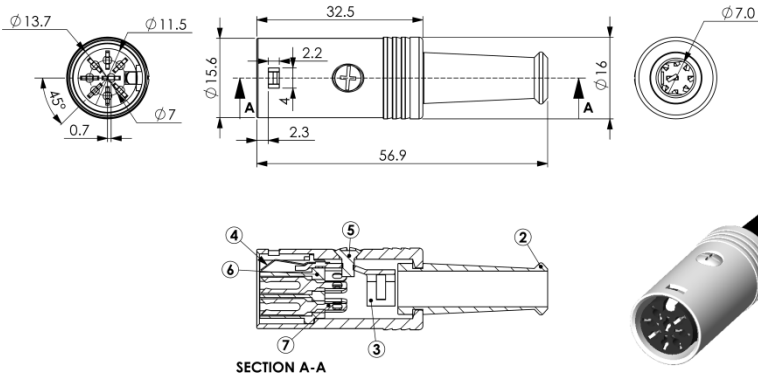


YE-118XCS DIN CABLE JACK METAL SHIELD PUSH LOCKING ASS'Y



YE-1183CS	YE-1184CS	YE-1185ACS	YE-1185BCS	YE-1186CS	YE-1187CS	YE-1188ACS	YE-1188BCS

MATERIAL:

1. SHELL COVER : BRASS NICKEL PTD.
2. STRAIN BOOT: PVC
3. "T" HOLDER : STEEL NICKEL PTD.
4. GND CONTACTOR : PHOSPHOR BRONZE NICKEL PTD.
5. SETSCREW: STEEL NICKEL PTD.
6. HOUSING : ABS
7. TERMINALS : COPPER SILVER PTD.

SPECIFICATION :

Rating : 100V AC 1A max.
 Contact Resistance :
 Pins 30mΩ max.
 Shell 50mΩ max.
 Insulation Resistance :
 100MΩ at 500V DC min.
 Voltage Withstand :
 250V AC for 1 minute

